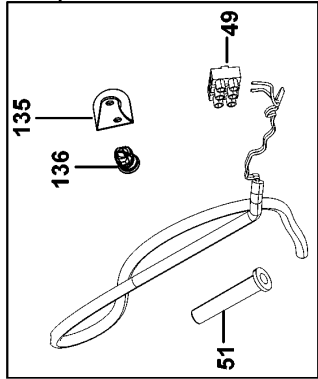
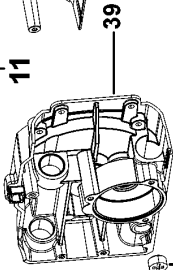
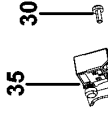
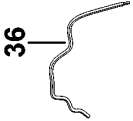
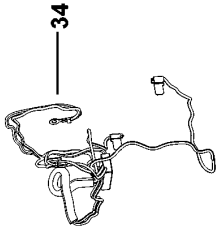


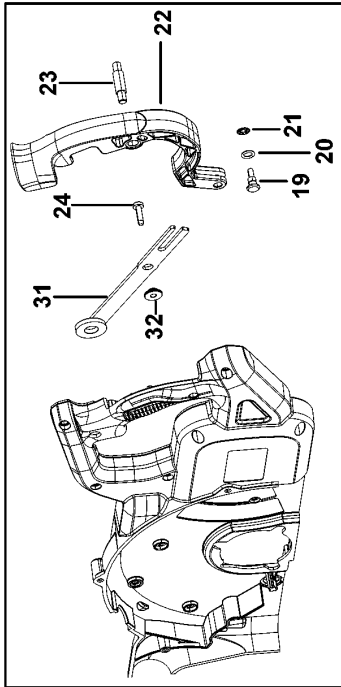
# DWS773 Housing MITRE SAW 1



821



51



23

24

19

20

21

31

32

62

52

64

65

66

68

69

70

71

72

73

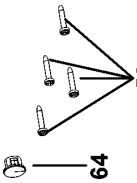
74

76

77

52

63



©